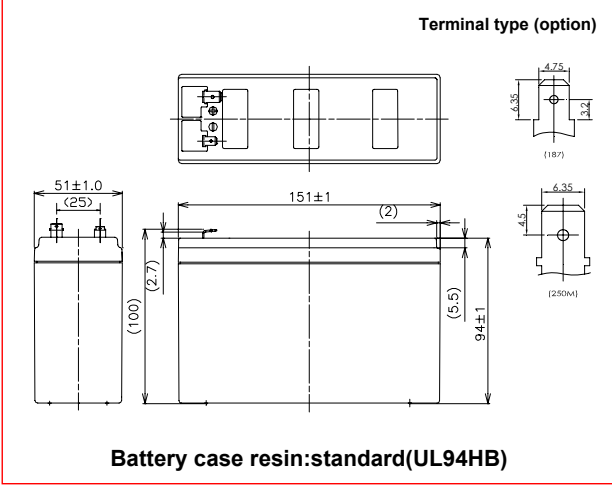


UP-RWA1232

For standby power supplies
Expected trickle life:3~5 years at 25°C, approx.5 years at 20°C



Dimensions(mm)



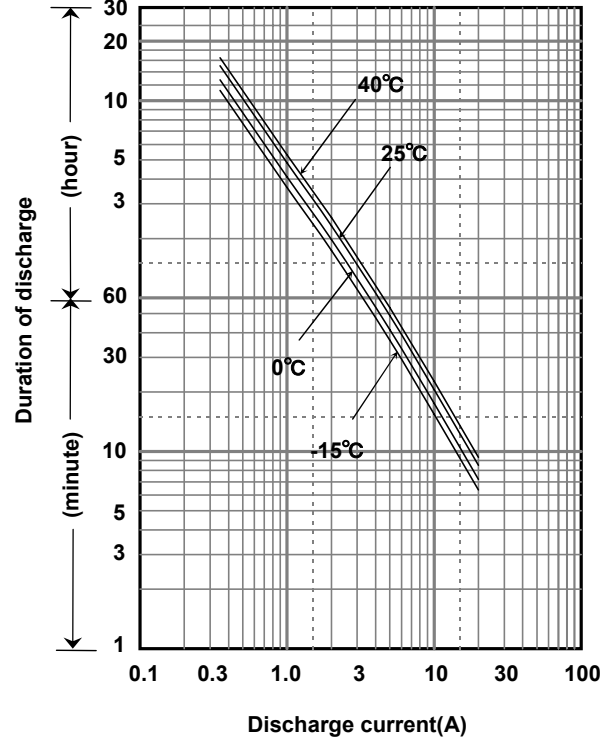
Specification

Nominal Voltage	12V	
Nominal Capacity	32W/cell@10MR	
Dimensions	Length	151 mm
	Width	51 mm
	Height	94 mm
	Total height	100 mm
Approx. Mass	2.0 kg	
Terminal	Faston 187 & 250M	

Characteristics

Capacity (25 °C)	30 minute rate	97W
	15 minute rate	157W
	10 minute rate	192W
	5 minute rate	310W
Internal Resistance	Fully charged battery (25 °C)	25 mΩ
Temperature Dependency of Capacity (20 hour rate)	40 °C	102%
	25 °C	100%
	0 °C	85%
	-15 °C	65%
Self Discharge (25 °C)	After 3 months	91%
	After 6 months	82%
	After 12 months	64%

Duration of discharge vs. discharge current



Watt Table(25°C)

Cut-off V	3min	5min	10min	15min	20min	30min	45min	1h	1.5h	2h	3h	4h	5h	6h	10h	20h	24h
9.6V	410	310	192	157	128	97.0	71.1	56.9	39.1	30.3	22.5	17.3	14.3	11.5	7.61	4.12	3.44
9.9V	386	295	187	150	124	95.0	70.7	56.9	38.3	30.0	22.4	17.2	14.2	11.4	7.58	4.11	3.43
10.2V	361	281	182	142	120	93.0	67.7	53.9	36.3	28.4	21.5	16.5	13.6	11.0	7.25	3.97	3.31
10.5V	327	255	174	136	115	89.5	65.9	52.8	34.9	27.5	21.5	16.5	13.5	10.9	7.22	3.96	3.30
10.8V	294	230	164	130	110	86.0	61.7	48.8	32.6	24.5	19.5	15.2	12.4	10.0	6.73	3.70	3.08

Ampere Table(25°C)

Cut-off V	3min	5min	10min	15min	20min	30min	45min	1h	1.5h	2h	3h	4h	5h	6h	10h	20h	24h
9.6V	36.9	27.8	17.1	13.7	11.0	8.29	6.06	4.83	3.31	2.56	1.89	1.45	1.19	0.958	0.634	0.344	0.287
9.9V	34.7	26.5	16.7	13.0	10.7	8.12	6.02	4.83	3.25	2.54	1.88	1.44	1.18	0.954	0.631	0.343	0.286
10.2V	32.5	25.2	16.3	12.3	10.3	7.95	5.77	4.58	3.08	2.40	1.80	1.38	1.14	0.916	0.604	0.331	0.276
10.5V	29.5	22.9	15.5	11.8	9.90	7.65	5.61	4.48	2.96	2.32	1.81	1.38	1.13	0.906	0.602	0.330	0.275
10.8V	26.4	20.6	14.6	11.3	9.48	7.35	5.26	4.14	2.76	2.07	1.64	1.28	1.03	0.838	0.560	0.309	0.257

Charging Method

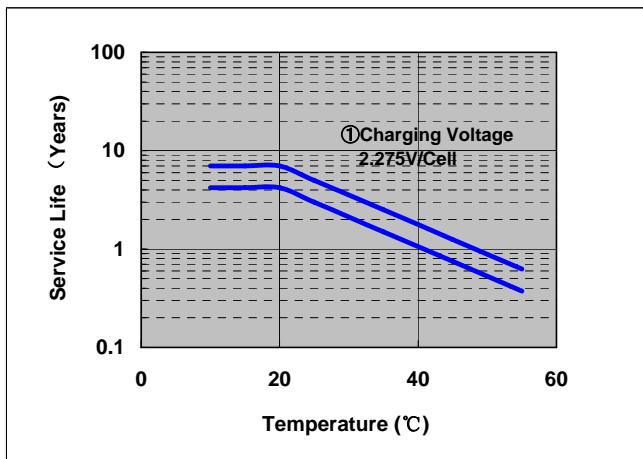
(25°C)

Trickle use	Control voltage:13.6-13.8V;Initial current 1.05A or smaller
-------------	---

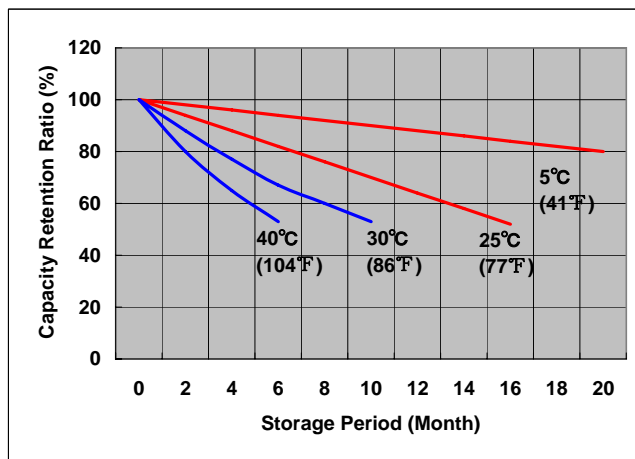
Cut off voltage

Discharge current	0.35A-1.4A	1.4A-3.5A	3.5A-7A	7A-14A	14A-21A
Cut off voltage (V)	10.5	10.2	9.9	9.3	8.7

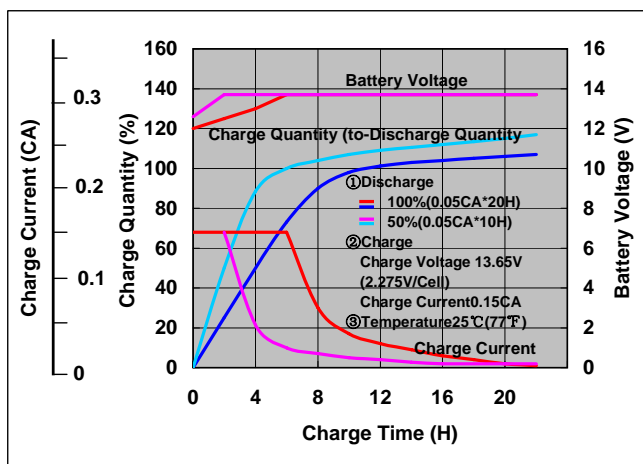
Influence of Temperature on Trickle life



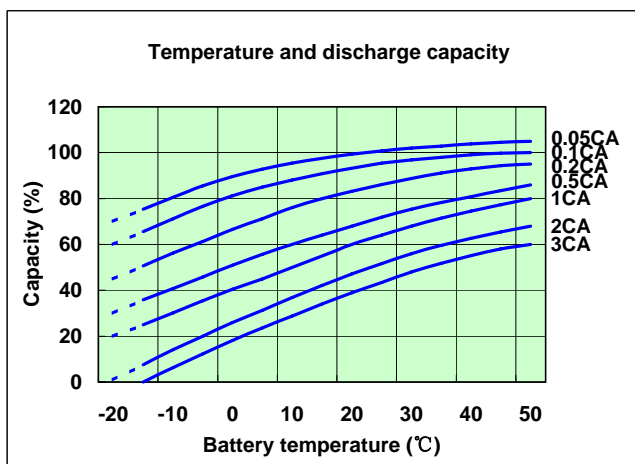
Residual capacity test result



Constant-voltage and constant-current charge characteristics



Discharge capacity by temperature and by discharge current



Discharge characteristics (25°C)

